



For product questions contact:

Jarden Customer Service
USA : 1.800.334.0759
Canada : 1.800.667.8623
www.oster.com

©2013 Sunbeam Products, Inc. doing business as Jarden Consumer Solutions. All rights reserved. Distributed by Sunbeam Products, Inc. doing business as Jarden Consumer Solutions, Boca Raton, Florida 33431. Sunbeam Products, Inc. is a subsidiary of Jarden Corporation (NYSE:JAH).

Para preguntas sobre los productos llame:

Jarden Customer Service
EE.UU.: 1.800.334.0759
Canadá : 1.800.667.8623
www.oster.com

©2013 Sunbeam Products, Inc. operando bajo el nombre de Jarden Consumer Solutions. Todos los derechos reservados. Distribuido por Sunbeam Products, Inc. operando bajo el nombre de Jarden Consumer Solutions, Boca Raton, Florida 33431. Sunbeam Products, Inc. es una subsidiaria de Jarden Corporation (NYSE:JAH).

Printed in China/Impreso en China
FPSTFP4263-DFL_13ESM1

P.N. 153336_Rev A
GCDS-OST28266-AB



IT'S WHAT WE'RE MADE OF.

For over 100 years, the Oster® brand has been defining innovation, power and durability. Some say our line of uniquely designed and built appliances last forever. The Oster® Designed for Life™ Series is the next generation of innovative products that are professionally designed, timelessly styled and backed by legendary performance.

14 CUP FOOD PROCESSOR WITH 5-CUP WORK BOWL
PROCESADOR DE ALIMENTOS DE 14 TAZAS CON RECIPIENTE DE 5 TAZAS

User Guide/ Guía del Usuario:
FPSTFP4263-DFL



Safety
Seguridad



How to use
Cómo usar



Cleaning
Cuidado y Limpieza



Guarantee
Garantía

www.oster.com

IMPORTANT SAFEGUARDS

When using electrical appliances, basic safety precautions should always be followed including the following:

1. **Read all instructions before use, and keep for future reference.**
2. To protect against risk of electrical shock, do not put food processor base or electrical cord in water or any other liquid. This may cause personal injury or damage to the product.
3. Close supervision is necessary when using this appliance near children.
4. Turn unit off and unplug from outlet to disconnect appliance, before putting on or taking off parts, before cleaning and when not in use.
5. Do not contact moving parts.
6. Do not operate food processor with a damaged cord or plug or after the appliance malfunctions, or is dropped or damaged in any manner. Return appliance to the nearest authorized service center for examination, repair or mechanical adjustment.
7. The use of attachments not recommended or sold by the manufacturer may cause fire, electrical shock or injury.
8. Do not let cord touch hot surfaces or hang over table edges or counters.
9. Do not use your food processor if any part is broken.
10. Do not use outdoors or for commercial purposes.
11. Keep hands and utensils away from moving blades or discs while processing food to reduce the risk of severe injury to persons or damage to the food processor. A scraper may be used but must be used only when the food processor is not running.
12. Blade and processing disk are sharp. Handle carefully.
13. To reduce the risk of injury to persons, never place cutting blade on motor base without first locking bowl properly in place.
14. Be certain container cover is securely locked in place while operating appliance. Make sure motor, Disc, and/or chopping blades have completely stopped before removing cover.
15. Never feed food into food chute by hand, always use the food pusher.
16. Be sure to turn switch to OFF position after each use.
17. This appliance is intended for household use only, not for commercial or industrial use. Use for anything other than intended will void the guarantee.
18. Do not attempt to defeat the cover interlock mechanism.
19. To reduce the risk of fire or electric shock, do not attempt to remove the bottom cover of the unit. There are no serviceable parts inside. Repair should only be done by authorized service personnel.

THIS UNIT IS INTENDED FOR HOUSEHOLD USE ONLY.

This appliance has a polarized alternating current plug (one blade is wider than the other). To reduce the risk of electric shock, as a safety feature, this plug will fit in a polarized outlet only one way. If the plug does not insert fully in the outlet, reverse the plug. If it still fails to fit, contact a qualified electrician.

DO NOT ATTEMPT TO DEFEAT THIS SAFETY FEATURE.

EXTENSION CORD USE

A short power-supply cord is provided to reduce the risk resulting from becoming entangled in or tripping over a longer cord. An extension cord may be used if care is exercised in its use. If an extension cord is used, the electrical rating of the cord must be at least as great as the electrical rating of the appliance. The extension cord should be arranged so that it will not drape over the countertop or tabletop where it can be pulled on by children or tripped over unintentionally.

SAVE THESE INSTRUCTIONS

Thank you for purchasing the OSTER® 14 Cup Food Processor. Before you use this product for the first time, please take a few moments to read these instructions and keep it for reference. Pay particular attention to the Safety Instructions provided. Please review the product service and guarantee statements. To learn more about Oster® products, please visit us at www.oster.com or call us at 1-800-334-0759.



2

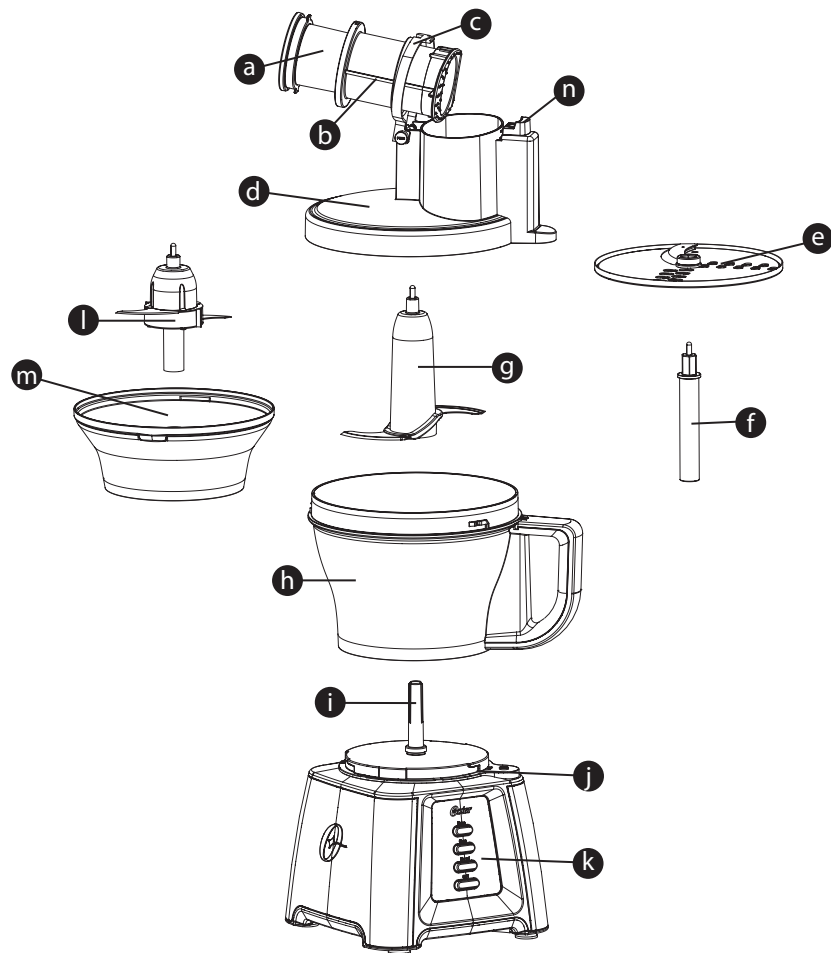
www.oster.com



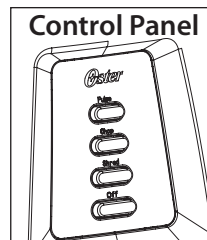
3

www.oster.com

LEARNING ABOUT YOUR 14 CUP FOOD PROCESSOR



- | | | |
|----------------------------|---------------------------|-------------------------------|
| a Small Food Pusher | f Disc Stem | k Control Panel |
| b Large Food Pusher | g Chopping Blade | l Small Chopping Blade |
| c Food Chute Lid | h Bowl | m Small Bowl |
| d Bowl Cover | i Center Post | n Slide button |
| e Slice/Shred Disc | j Base Lock Switch | |



1 Pulse - The Pulse button must be pressed and held for unit to operate. When released, unit will stop. Use PULSE for short processing tasks, such as chopping nuts, raw meats, or vegetables. This lets you check processed results and control the consistency.

2 Shred - When this button is pressed, unit runs continuously on low speed until "Off" button is pressed.

3 Chop - When this button is pressed, unit runs continuously on high speed until "Off" button is pressed.

4 Off - Processor should always be left in the OFF position when not in use.

NOTE: When slicing or shredding use high speed. When using chopping blade use lower speed to control size of chopped food.

Before Using Your Oster® Food Processor

- When unpacking the product and removing packing material, handle the chopping blade and slice/shred discs carefully: they are very sharp.
- Wash all parts except the Base in hot, soapy water. Rinse them dry. These parts can also be placed in the dishwasher. Be sure to read the Care & Cleaning Section of this manual to learn the correct methods for taking the unit apart and cleaning.



4

www.oster.com

www.oster.com



5



HOW TO:



Using Your Food Processor

NOTE: Do not attempt to chop ice in this food processor; it will damage the bowl and dull the Chopping Blade. This unit will not whip cream, beat egg whites, grind coffee beans, spices or other items with high oil content, or slice or shred hard-cooked eggs, marshmallows, or soft cheeses.

Important: For your protection, this unit has an interlock system. **The processor will not operate unless the bowl is properly locked onto the base and cover is properly locked onto the bowl.** Do not attempt to operate the unit without the bowl cover, bowl and food chute lid correctly in place. Be sure base is on a flat, dry and clean surface before you begin processing.

NOTE: Before you begin, PLEASE BE SURE THAT THE ELECTRIC CORD IS UNPLUGGED.

How To Assemble the Large Bowl

Align the base and bowl as illustrated in Figure 1. Align the bowl handle with the UNLOCK  mark on the base. Turn the bowl counter-clockwise until it clicks onto the base. The bowl handle should now align with the LOCK  mark on the base. (The bowl handle will be positioned on the front-right corner of the base.)

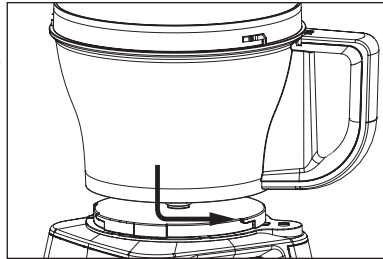







Figure 1

NOTE: There is only one position for the bowl to lock onto the base. The unit will not operate if the bowl does not lock onto the base.

How to Lock the Cover

Place the cover onto the bowl. Align the UNLOCK  mark on the cover and the UNLOCK  mark on the bowl (as illustrated in Figure 2). Twist the cover counter-clockwise towards the LOCK  until it clicks onto the bowl. The LOCK  mark on the cover should now align with the LOCK  mark on the bowl.

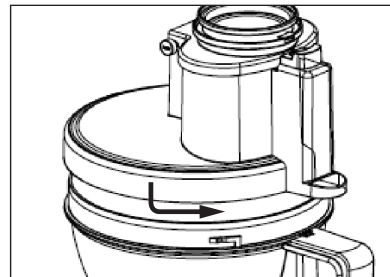


Figure 2

NOTE: When the cover is locked into position, the safety mechanism on the cover and bowl will align. The unit will not operate if the cover is not locked onto the bowl.

NOTE: BOWL MUST BE LOCKED INTO BASE BEFORE COVER CAN BE LOCKED INTO POSITION.

How to Lock the Food Chute Lid

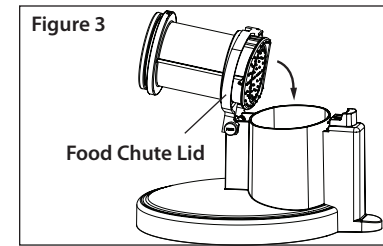


Figure 3

Food Chute Lid

1 The Food Chute lid hinges onto the back of Food Chute. As illustrated in Figure 3.

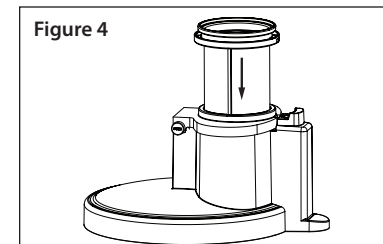


Figure 4

2 Push down the Large Food Pusher into the Food Chute. As illustrated in Figure 4.

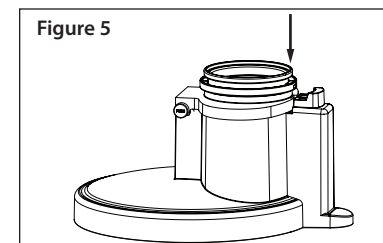


Figure 5

3 Push down on the tab of Large Food Pusher to latch the Food Chute lid onto the Food Chute. As illustrated in Figure 5.

NOTE: Unit will not operate if the Food Chute lid does not latch onto the Food Chute

How to Open the Food Chute Lid

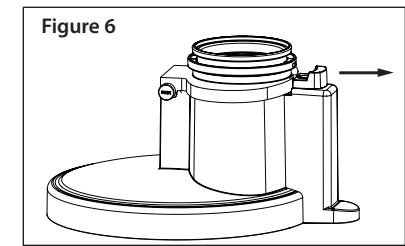


Figure 6

1 Pull Side Release button out. As illustrated in Figure 6.

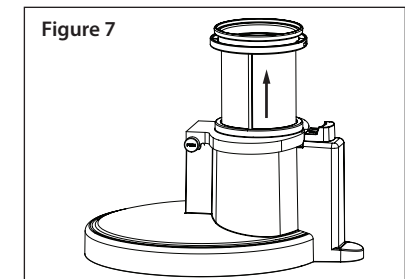


Figure 7

2 Pull up the Large Food Pusher. As illustrated in Figure 7.

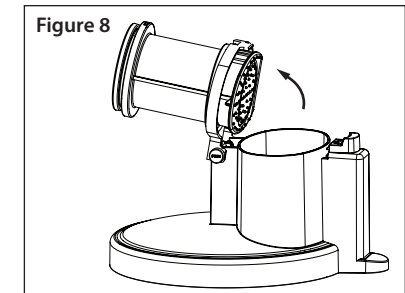


Figure 8



3 Pull back the food chute lid and Large Food Pusher. As illustrated in Figure 8.

NOTE: Before opening Food Chute lid, turn the unit OFF and unplug the cord.

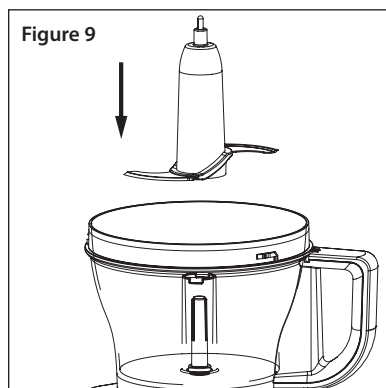


How to Chop Using the Large Work Bowl

NOTE: Make sure the unit is turned OFF and unplugged before use. Never use hand to push food into processor. Do not use the processor continuously for more than 3 minutes at a time.

- 1 Lock the large bowl onto base.
(See "How to assemble the large bowl")
- 2 Grasp the chopping blade by its stem and slide it onto the center post (Figure 9).
- 3 Place food into bowl.
- 4 Lock cover onto bowl.
(See "How to Lock the cover")
- 5 Lock the Food Chute Lid.
(See "How to Lock the Food Chute Lid").
- 6 Plug the cord into an electric outlet.
Use the Food Guide to prepare food for chopping.
- 7 Press the Chop or Shred button for continuous processing or the PULSE button for short processing tasks. When using the PULSE setting, hold the PULSE button for about 2-3 seconds at a time, check results and repeat if desired.
- 8 When finished processing, press the Off button and allow the chopping blade to stop rotating.
- 9 Twist the cover towards the UNLOCK  mark to remove lid.
- 10 Hold the Chopping Blade by its stem and remove. Unlock the bowl by turning it clockwise towards the UNLOCK  mark, and lift off. Empty the processed food.


NOTE: Chopping Blade is very sharp, use caution when handling.



How to Chop Using the Small Work Bowl

(Do not use slice/shred disc with small work bowl.)

NOTE: Make sure the unit is turned OFF and unplugged before use. Never use hand to push food into processor. Do not use the processor continuously for more than 3 minutes at a time.

- 1 Lock the large bowl onto base.
(See "How to assemble the large bowl")
- 2 Insert Small work bowl into large work bowl and twist inner bowl until it is seated into the large work bowl.
- 3 Grasp the small chopping blade by its stem and slide it onto the center post.
- 4 Place food into bowl.
- 5 Lock cover onto bowl. (See "How to Lock the cover")
- 6 Lock the Food Chute Lid. (See "How to Lock the Food Chute Lid").
- 7 Plug the cord into an electric outlet.
- 8 Press the Chop or Shred button for continuous processing or the PULSE button for short processing tasks. When using the PULSE setting, hold the PULSE button for about 2-3 seconds at a time, check results and repeat if desired.
- 9 When finished processing, press the Off button and allow the chopping blade to stop rotating.
- 10 Twist the Lid towards the UNLOCK  mark to remove.
- 11 Hold the Chopping Blade by its stem and remove. Lift small work bowl out of the larger work bowl. Empty processed food.



NOTE: When using chopping blade use slower speeds to control size of chopped food. Chopping Blade is very sharp, use caution when handling.



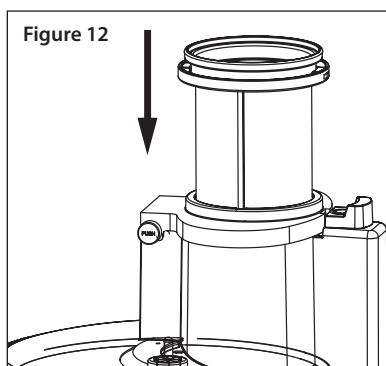
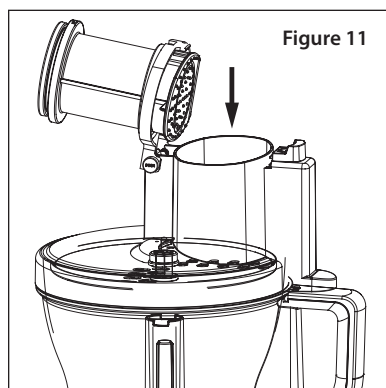
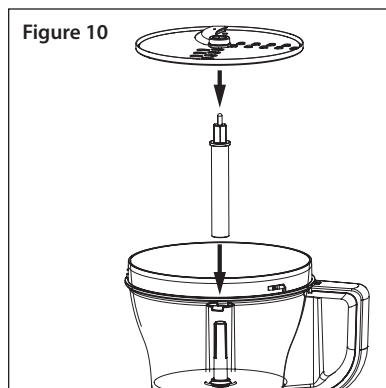
How to Slice or Shred Using the Large Work Bowl

NOTE: Make sure the unit is turned OFF and unplugged before use. Never use hand to push food into processor. Do not use the processor continuously for more than 3 minutes at a time.

Processing Large Amounts of Food



- 1 Lock the bowl onto base.
(See “How to assemble the bowl”)
- 2 Slide the Disc Stem onto the center post of the base. With the desired side facing up (slicing or shredding), push the slice/shred disc onto the disc stem (Figure 10). Use caution when handling disc, blades are extremely sharp.
- 3 Lock cover onto bowl.
(See “How to Lock the cover”)
- 4 Fill the Food Chute with large food such as a chunk of cabbage, green pepper, whole tomato (Figure 11). Lock the food chute lid. (See “How to Lock the Food Chute Lid”). Use the Food Guide to help you prepare food for slice/shred processing.
- 5 Slide the Small Food Pusher into the Large Food Pusher, plug the cord into an electric outlet.
- 6 Press the desired speed setting button, then press down lightly but firmly on the Food Pusher (Figure 12).
- 7 When finished processing, press the Off button and allow the disc to stop rotating. Twist the Bowl cover towards the UNLOCK  mark to remove the cover.
- 8 Carefully remove the Shredding Disc. Unlock the bowl by turning it clockwise towards the UNLOCK  mark and lift off. Empty the processed food.

NOTE: Shredding Disc is very sharp, use caution when handling.



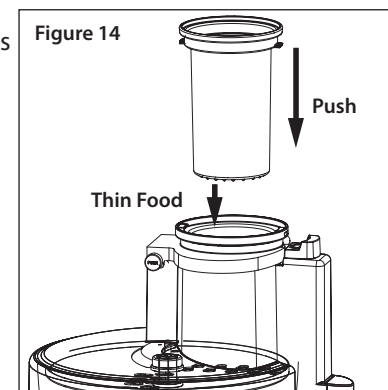
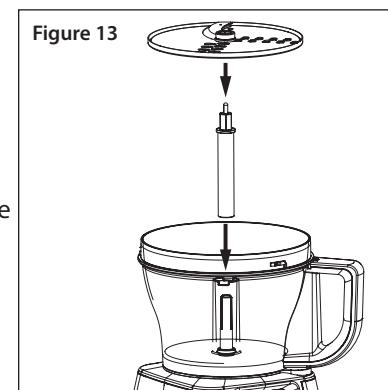
Processing Long and Thin Foods

NOTE: Make sure the unit is turned OFF and unplugged before use. Never use hand to push food into processor. Do not use the processor continuously for more than 3 minutes at a time.

- 1 Lock the bowl onto base.
(See “How to assemble the bowl”)
- 2 Slide the Disc Stem onto the center post of the base. With the desired side facing up (slicing or shredding), push the slice/shred disc onto the disc stem (Figure 13). Use caution when handling disc, blades are extremely sharp.
- 3 Lock cover onto bowl.
(See “How to Lock the cover”)
- 4 Lock the food chute lid. (See “How to Lock the Food Chute Lid”. Food Chute Lid can be locked before locking cover onto the bowl).
- 5 Fill the Large Food Pusher with long and thin food such as potato, pepperoni, carrots and celery.
- 6 Insert Small Food Pusher into Large Food Pusher (Figure 14), plug the cord into an electric outlet.
- 7 Press one of the preset speed buttons, then press down lightly but firmly on the Small Food Pusher.
- 8 When finished processing, press the Off button and allow the disc to stop rotating. Twist the Bowl cover towards the UNLOCK  mark to remove the cover.
- 9 Carefully remove the Shredding Disc. Unlock the bowl by turning it clockwise towards the UNLOCK  mark and lift off. Empty the processed food.

Food Processing Tips/Liquids

- 1 Hot liquids (no hotter than 176°F) and hot foods can be processed in the bowl.
- 2 Be sure to process small amounts of liquids—2 cups or less at a time. Larger amounts may leak from the bowl.





Care & Cleaning

NOTE: Do not attempt to sharpen the cutting edges of the chopping blade or the reversible disc. They are permanently sharpened at the factory and will be ruined by attempted sharpening.

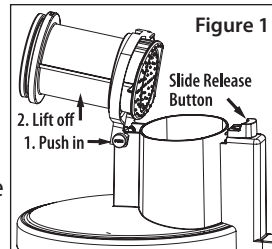
Cleaning

- 1 Before cleaning, be sure the unit is switched off and the cord is unplugged.
- 2 Whenever possible, rinse parts immediately after processing for easy cleanup.
- 3 Wipe the base, control panel, and feet with a damp cloth and dry thoroughly. Stubborn spots can be removed by rubbing with a damp cloth and a mild, non-abrasive cleaner. Do not immerse the base in liquid.
- 4 Blades are sharp.
- 5 All removable parts can be washed by hand or in a dishwasher, top rack.
 - If washing by hand, wash in hot sudsy water, rinse, and dry thoroughly. If necessary, use a small nylon bristle brush to thoroughly clean the bowl and food chute/cover, this type of brush will also help prevent cutting yourself on the sharp chopping blade and slice/shred disc.
 - If washing in a dishwasher, place removable parts on the top rack only — not in or near the utensil basket.

NOTE: For easier cleaning, the Wide Mouth Food Chute can be removed from the lid.

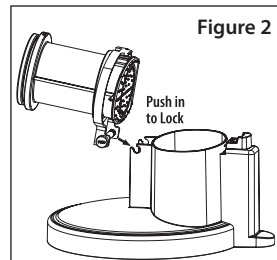
How To Remove The Wide Mouth Food Chute:

- Pull Slide Release Button out and pull up the Large Food Pusher.
- Pull back the Food Chute lid and Large Food Pusher.
- Push in the white horizontal hinge pin and lift off the Wide Mouth Food Chute (See Figure 1).



How To Re-Attach the Wide Mouth Food Chute:

- Line up the white horizontal hinge pin with the notches.
- Push in to lock into place (See Figure 2).



- 6 Do not use rough scouring pads or cleansers on any plastic or metal parts.
- 7 Do not fill the bowl with boiling water or place any of the parts in boiling water. Some foods, such as carrots, may temporarily stain the bowl. To remove stains, make a paste of 2 tablespoons (30ml) baking soda and 1 tablespoon (15ml) warm water. Apply the paste to the stains and rub with a cloth. Rinse with sudsy water and dry.

Chopping Guide For Large Work Bowl

Food	Amount	Directions
Baby Food	Up to 4 cups (1000ml)	Add up to 4 cups (1000ml) cooked vegetables and/or meat in a bowl, along with ¼ cup (60ml) liquid per cup of solid food, process continuously to desired fineness.
Bread Crumbs	Up to 5 slices	Cut either fresh or dry bread slices into 1½–2 inch (3.75–5cm) pieces. Add to bowl and process to fine crumbs.
Cookie/Cracker Crumbs	Up to 5 cups (1250ml)	Use for crumbing Graham Crackers, Chocolate or Vanilla Wafers. Break larger crackers into 1½–2 inch (3.75–5cm) pieces. Add to bowl and process until fine.
Cranberries, minced	3 cups (750ml)	Pulse to chop to desired fineness. Can also add sugar to make Cranberry Relish.
Eggs, chopped	Up to 12	Peel, dry and halve hard-cooked eggs. Add to bowl, Pulse to chop, checking fineness after 4–5 pulses.
Garlic, minced	Up to 12	Be sure bowl is dry. Drop clove(s) down Food Chute while unit is running.
Meat, chopped (raw or cooked)	Up to 2.5 cups (600ml)	Cut the meat into 1 inch (2.54cm) cubes. Add to bowl and pulse to chop.
Mushrooms, chopped	Up to 12 medium	Halve large ones and add to bowl. Pulse to desired fineness.
Nuts, chopped	2 cups (300ml)	Add to bowl and pulse to chop.
Onions, chopped	Up to 2 large	Quarter, add to bowl. Pulse 1 or 2 times to coarsely chop. For green onions, up to 2 cups (500ml) cut into 1 inch (2.45cm) pieces.
Parmesan or Romano Cheese, grated	Up to 1½ cups (375ml)	Allow cheese to reach room temperature. Cut into 1 inch (2.54cm) cubes. Add to bowl and pulse to coarse chop. Process continuously to finely grate.
Parsley, chopped	Up to 2 cups (500ml)	Add to bowl and pulse to chop to desired fineness, about 10–15 seconds. Process other herbs in the same manner (Basil, Cilantro, Mint, etc.)
Pepper, Green, Red, Yellow, chopped	Up to 1 Pepper	Cut into 1 inch (2.54cm) pieces. Add to bowl and pulse to chop.
Soups, pureed or creamed	2 cups (500ml)	Add up to 2 cups hot (less than 176°) vegetable soup for pureeing or creaming. Process to desired smoothness.
Squash (Butternut), Pumpkin or Sweet Potatoes, pureed	Up to 5 cups (1250ml) of 1 inch (2.54cm) cubes	Add ¼ (60ml) cup of cooking liquid per cup of food. Pulse to finely chop then process continuously to puree.
Strawberries, pureed	2 cups (500ml)	Hull and halve large berries. Add to bowl and pulse to chop. Process continuously to puree.
Tomatoes, chopped	4 medium	Quarter tomatoes. Add up to 4 and pulse to desired size.





5 Year Satisfaction Guarantee

Sunbeam Products, Inc. doing business as Jarden Consumer Solutions or if in Canada, Sunbeam Corporation (Canada) Limited doing business as Jarden Consumer Solutions (collectively "JCS") warrants that for a period of five years from the date of purchase, this product will be free from defects in material and workmanship. JCS, at its option, will repair or replace this product or any component of the product found to be defective during the guarantee period. Replacement will be made with a new or remanufactured product or component. If the product is no longer available, replacement may be made with a similar product of equal or greater value. This is your exclusive guarantee. Do NOT attempt to repair or adjust any electrical or mechanical functions on this product. Doing so will void this guarantee.

This guarantee is valid for the original retail purchaser from the date of initial retail purchase and is not transferable. Keep the original sales receipt. Proof of purchase is required to obtain satisfaction guarantee performance. JCS dealers, service centers, or retail stores selling JCS products do not have the right to alter, modify or any way change the terms and conditions of this guarantee.

This guarantee does not cover damage resulting from any of the following: negligent use or misuse of the product, use on improper voltage or current, use contrary to the operating instructions, disassembly, repair or alteration by anyone other than JCS or an authorized JCS service center. Further, the guarantee does not cover: Acts of God, such as fire, flood, hurricanes and tornadoes.

What are the limits on JCS's Liability?

JCS shall not be liable for any incidental or consequential damages caused by the breach of any express, implied or statutory guarantee or condition.

Except to the extent prohibited by applicable law, any implied guarantee or condition of merchantability or fitness for a particular purpose is limited in duration to the duration of the above guarantee.

JCS disclaims all other guarantees, conditions or representations, express, implied, statutory or otherwise.

JCS shall not be liable for any damages of any kind resulting from the purchase, use or misuse of, or inability to use the product including incidental, special, consequential or similar damages or loss of profits, or for any breach of contract, fundamental or otherwise, or for any claim brought against purchaser by any other party.

Some provinces, states or jurisdictions do not allow the exclusion or limitation of incidental or consequential damages or limitations on how long an implied guarantee lasts, so the above limitations or exclusion may not apply to you.

This guarantee gives you specific legal rights, and you may also have other rights that vary from province to province, state to state or jurisdiction to jurisdiction.

How to Obtain Satisfaction Guarantee Service

In the U.S.A.

If you have any question regarding this guarantee or would like to obtain guarantee service, please call 1-800-334-0759 and a convenient service center address will be provided to you.

In Canada

If you have any question regarding this guarantee or would like to obtain guarantee service, please call 1-800-667-8623 and a convenient service center address will be provided to you.

In the U.S.A., this guarantee is offered by Sunbeam Products, Inc. doing business as Jarden Consumer Solutions located in Boca Raton, Florida 33431. In Canada, this guarantee is offered by Sunbeam Corporation (Canada) Limited doing business as Jarden Consumer Solutions, located at 20 B Hereford Street, Brampton, Ontario L6Y 0M1. If you have any other problem or claim in connection with this product, please write our Consumer Service Department

PLEASE DO NOT RETURN THIS PRODUCT TO ANY OF THESE ADDRESSES OR TO THE PLACE OF PURCHASE

Shredding Guide for Large Work Bowl

Food	Directions
Cabbage	Use Shredding Disc for very fine cabbage or slaw. Cut into pieces to fit Chute. Shred using light pressure. Empty bowl as cabbage reaches Disc.
Carrots	Position in Chute and shred.
Cheese, cheddar	Cheese must be well chilled. Cut to fit Chute, use light pressure.
Cheese, Mozzarella	Cut to fit Chute. Cheese must be chilled in freezer for 30 minutes prior to shredding. Use light pressure.
Potatoes	Cut to fit Chute.
Zucchini/Squash	Slice off ends, cut to fit Chute, either lengthwise or horizontally.

Slicing Guide for Large Work Bowl

Food	Directions
Apple	Halve and stack horizontally in Chute. Use firm pressure.
Cabbage/Lettuce	Halve head, cut to fit Chute
Carrots	Cut to fit Chute.
Celery	Remove string, pack Chute for best results.
Cucumber	Cut to fit Chute if necessary.
Mushrooms	Stack Chute with mushrooms on their sides for lengthwise slices.
Onions	Halve and fill Chute, positioning onions upright for coarsely chopped results.
Peaches/Pears	Halve and core. Position upright in Chute and slice using light pressure.
Peppers, Green, Yellow, Red, etc.	Halve and seed. Fit pepper up bottom of Chute squeezing slightly to fit if necessary. Cut large ones into quarters or strips, depending on desired results. Slice using moderate pressure.
Pepperoni	Cut into 3 inch (8cm) lengths. Remove inedible casing.
Potatoes	Peel if desired, cut large potatoes in halves, position in Chute.
Strawberries	Hull. Arrange berries on their sides for lengthwise slices.
Tomatoes	Use small tomatoes for whole slices, halve if necessary. Use gentle but firm pressure.
Turnips	Peel, cut turnips to fit Chute.
Zucchini/Squash	Slice off ends. Use small zucchini/squash for whole slices; halve larger ones to fit Chute.



MEDIDAS DE SEGURIDAD IMPORTANTES

Cuando se utilizan aparatos eléctricos, siempre deben tomarse medidas de seguridad básicas, incluyendo las siguientes:

1. **Lea estas instrucciones antes de usar, y guárdelas para futuras referencias.**
2. Para prevenir el riesgo de descargas eléctricas, no coloque la base ni el cable eléctrico de la procesadora de alimentos en agua o cualquier otro líquido. Ello podría ocasionar lesiones personales o daños al producto.
3. Se requiere supervisión cuando el electrodoméstico se utiliza cerca de niños.
4. Apague la unidad y desenchufe del tomacorriente para desconectar el artefacto, antes de colocar o retirar piezas, antes de colocar o retirar piezas o antes de limpiarlo.
5. No toque las piezas móviles.
6. No utilice la procesadora de alimentos si el cable de alimentación o el enchufe está dañado, si el electrodoméstico no funciona correctamente, se ha caído o presenta algún tipo de daño. Para la inspección, reparación o ajuste mecánico, recurra al centro de mantenimiento autorizado más cercano.
7. El uso de accesorios no recomendados o no vendidos por el fabricante puede ocasionar incendios, descargas eléctricas o lesiones.
8. No deje que el cable cuelgue del borde de la mesa o mesada o esté en contacto con superficies calientes.
9. No utilice la procesadora de alimentos si alguna pieza está dañada.
10. No utilice el electrodoméstico en el exterior o para fines comerciales.
11. Cuando procese alimentos, mantenga las manos y los utensilios alejados de los discos o las cuchillas móviles para reducir el riesgo de lesiones graves a personas o daños a la procesadora de alimentos. Puede utilizarse un raspador pero solo cuando la procesadora de alimentos no esté en funcionamiento.
12. El disco y las cuchillas son filosas. Manipule con cuidado.
13. Para reducir el riesgo de lesiones a personas, nunca coloque la cuchilla para picar sobre la base del motor sin haber cerrado el recipiente apropiadamente.
14. asegúrese de que la tapa del recipiente esté trabada de modo seguro cuando utilice el electrodoméstico. Asegúrese que el motor, la cuchilla circular y/o de picar se hayan detenido completamente antes de retirar la tapa.
15. Nunca coloque alimentos en el vertedor de alimentos manualmente; siempre utilice el empujador de alimentos.
16. Asegúrese de que el interruptor esté en la posición OFF después de cada uso.
17. Este artefacto está diseñado para uso casero únicamente, no para uso comercial o industrial. Su uso con cualquier otra intención anulará la garantía.
18. No intente anular el mecanismo de bloqueo de la tapa.
19. Para reducir riesgos de incendio o descargas eléctricas, no intente retirar la cubierta inferior de la unidad. Adentro no tiene piezas que puedan servir. La reparación debe ser efectuada únicamente por personal autorizado y calificado.



ESTA UNIDAD HA SIDO DISEÑADA SOLO PARA USO DOMÉSTICO.

Este electrodoméstico tiene un enchufe de corriente alternativo polarizado (una paleta es más ancha que la otra). Para reducir el riesgo de descargas eléctricas, como una función de seguridad, este enchufe encaja en la toma polarizada solo de una forma. Si el enchufe no se inserta completamente en la toma de corriente, invierta el enchufe. Si aun no encaja, contacte a un electricista calificado.

NO INTENTE IGNORAR ESTA MEDIDA DE SEGURIDAD

USO DE CABLE DE EXTENSIÓN

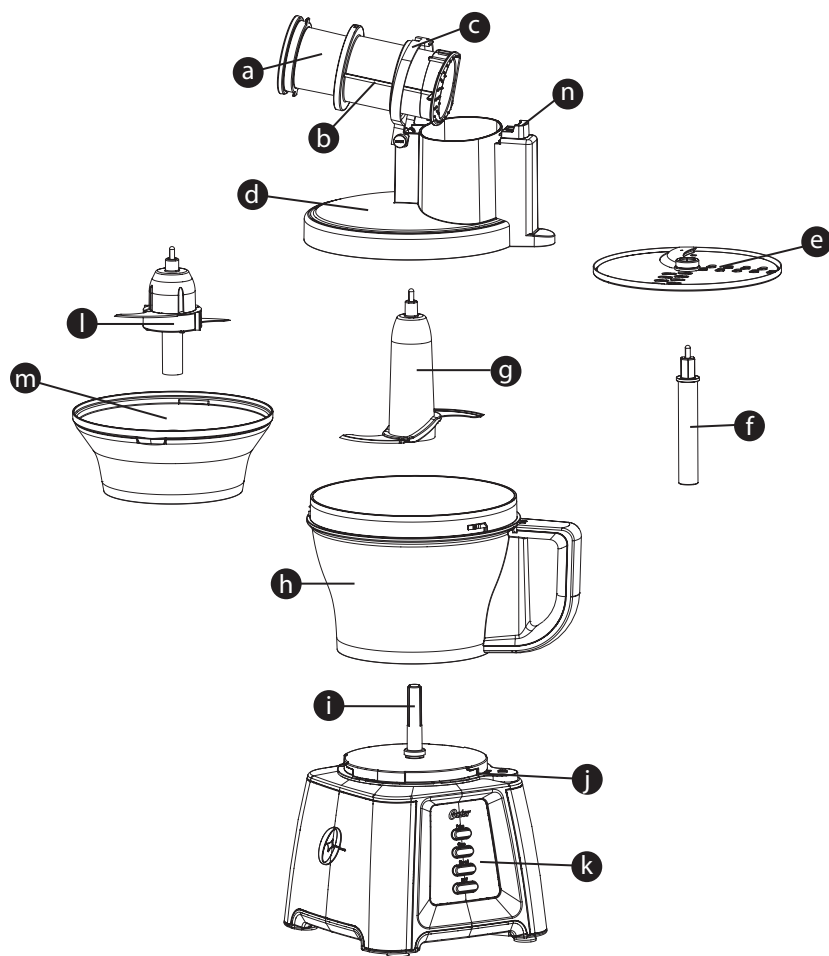
Se proporciona un cable de alimentación corto para reducir el riesgo de enredarse o tropezar con un cable más extenso. Si se utiliza con cuidado, puede emplearse un cable de extensión. En caso de utilizar un cable de extensión, la capacidad eléctrica del cable debe ser al menos igual que la capacidad eléctrica nominal del electrodoméstico. El cable de extensión debe instalarse de modo que no cuelgue de la mesada o mesa donde pueda ser jalado por niños o pueda ocasionar tropiezos.

GUARDE ESTAS INSTRUCCIONES

Gracias por adquirir la Procesadora de Alimentos con 14 Elementos OSTER®. Antes de utilizar este producto por primera vez, por favor lea estas instrucciones y consérvelas para referencia futura. Preste especial atención a las Instrucciones de Seguridad. Por favor lea las declaraciones de garantía y mantenimiento del producto. Para obtener más información sobre los productos OSTER®, por favor visite www.oster.com o llámenos al 1-800-334-0759.

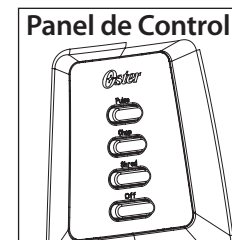


INFORMACIÓN SOBRE SU PROCESADORA DE ALIMENTOS CON 14 ELEMENTOS



- | | | |
|--|--------------------------------------|------------------------------------|
| a Empujador de Alimentos Pequeños | f Vástago del Disco | k Panel de Control |
| b Empujador de Alimentos Grandes | g Cuchilla para Picar | l Cuchilla Pequeña de Picar |
| c Tapa del Vertedor de Alimentos | h Recipiente | m Recipiente Pequeño |
| d Tapa del Recipiente | i Guía Central | n Botón del Pasador |
| e Cuchilla Circular Rebanadora/Rallador | j Botón de Bloqueo de la Base | |

- 1 Pulsado (Pulse)** -El botón de Pulse debe ser presionado y sostenido para que la unidad opere. Cuando la suelte, la unidad parará. Use el Pulsado (Pulse) para procesados rápidos, tales como picar nueces, carnes crudas, o vegetales. Esto le permite verificar los resultados del procesado y controlar la consistencia.
- 2 Rallado (Shred)**- Cuando este botón es presionado, la unidad opera continuamente a una velocidad baja hasta que se apriete el botón de "Off".
- 3 Picado (Chop)**- Cuando este botón es presionado, la unidad opera continuamente a una velocidad alta hasta que se apriete el botón de "Off".
- 4 Apagado** - Cuando no se utiliza, la procesadora siempre debe estar en la posición de Apagado (Off).



NOTE: When slicing or shredding use high speed. When using chopping blade use lower speed to control size of chopped food.

Antes De Utilizar Su Procesadora De Alimentos Oster®

- Cuando desempaque el producto y remueva el material de embalaje, manipule la cuchilla de picado, los Discos para rodajas/tiras, y el cortador de papas fritas cuidadosamente debido a que están muy filudos.
- Lave todas las piezas con agua jabonosa caliente, excepto la Base. Enjuague y seque. Estas piezas también pueden lavarse en el lavavajillas. Asegúrese de leer la Sección Cuidado & Lavado de este manual para conocer los métodos correctos para desarmar la unidad y limpiarla.





INSTRUCCIONES:



Cómo Utilizar su Procesadora de Alimentos

NOTA: No intente picar hielo en esta procesadora de alimentos; dañará el recipiente y desafilará la Cuchilla para Picar. Esta unidad no bate crema o claras de huevos, no muele granos de café o especias u otros alimentos con alto contenido de aceite, no corta o raya huevos duros, malvaviscos, o quesos suaves.

Importante: Para su protección, esta unidad cuenta con un sistema de enclavamiento. **La procesadora no funcionará a menos que el recipiente esté trabado correctamente en la base y la tapa esté trabada de manera adecuada en el recipiente.** No intente hacer funcionar la unidad sin la tapa del recipiente, el recipiente y la tapa del vertedor de alimentos colocados correctamente en su lugar. Asegúrese de que la base esté en una superficie plana, seca y limpia antes de comenzar a utilizar la procesadora.

NOTA: Antes de comenzar, POR FAVOR ASEGÚRESE DE QUE EL CABLE DE ALIMENTACIÓN ESTÉ DESENCHUFADO.

Cómo Colocar el Recipiente Grande

Alinee la base y el recipiente como se muestra en la Figura 1. Alinee la manija del recipiente con la marca UNLOCK (DESTRABAR)  en la base. Gire el recipiente en sentido anti-horario hasta que haga un ruido seco con la base. Ahora, la manija del recipiente debe estar alineada con la marca LOCK (TRABAR)  que se encuentra en la base. (El asa del recipiente se colocará en la esquina frontal derecha de la base.)

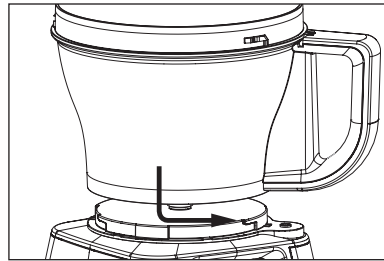







Figura 1

NOTA: Solo hay una posición en la que el recipiente queda trabado en la base. La unidad no funciona si el recipiente no traba en la base.

Cómo Trabar la Tapa

Coloque la tapa sobre el recipiente. Alinee la marca UNLOCK  sobre la tapa y la marca UNLOCK (DESTRABAR)  en el recipiente (como se muestra en la Figura 2). Gire la tapa en sentido anti-horario hacia LOCK (TRABAR)  hasta que haga un ruido seco con el recipiente. La marca LOCK  sobre la tapa debe estar alineada con la marca LOCK (TRABAR)  del recipiente.

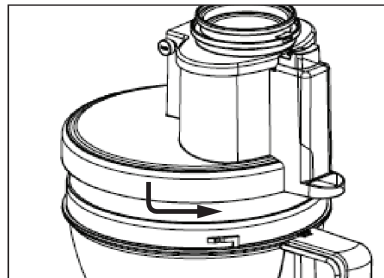
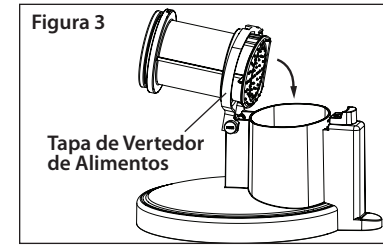


Figura 2

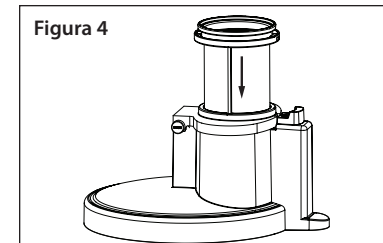
NOTA: Cuando la tapa está trabada en su posición, el mecanismo de seguridad de la tapa y el recipiente se alinea. La unidad no funciona si la tapa no está trabada con el recipiente.

NOTA: EL RECIPIENTE DEBE ESTAR TRABADO EN LA BASE ANTES DE QUE PUEDA TRABARSE LA TAPA EN SU POSICIÓN

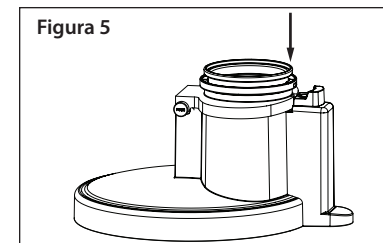
Cómo Trabar la Tapa del Vertedor de Alimentos



1 La tapa del Vertedor de Alimentos está asegurada con una bisagra a la parte posterior del Vertedor de Alimentos. Como se muestra en la Figura 3.



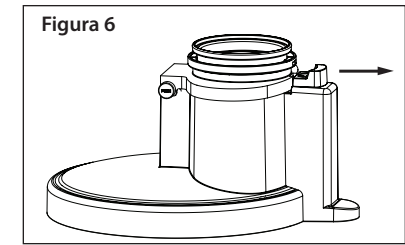
2 Coloque el Empujador de Alimentos Grandes dentro del Vertedor de Alimentos. Como se muestra en la Figura 4.



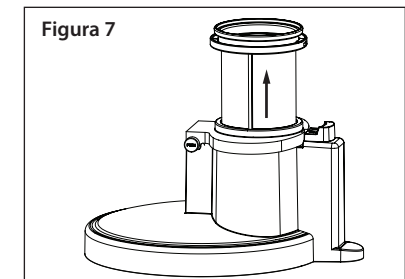
3 Baje la lengüeta del Empujador de Alimentos Grandes para trabar la tapa del Vertedor de Alimentos en el Vertedor. Como se muestra en la Figura 5.

NOTA: La unidad no funcionará si la tapa del Vertedor de Alimentos no está trabada en el Vertedor de Alimentos.

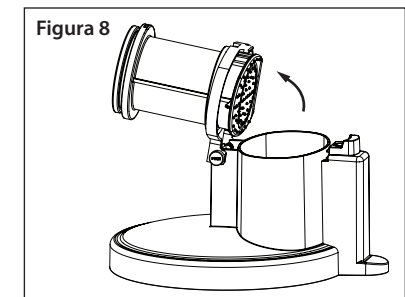
Cómo Abrir la Tapa del Vertedor de Alimentos



1 Tire del botón de Liberación Lateral hacia afuera. Como se muestra en la Figura 6.



2 Tire del Empujador de Alimentos Grandes hacia arriba. Como se muestra en la Figura 7.




3 Tire hacia atrás la tapa del Vertedor de Alimentos y el Empujador de Alimentos Grandes. Como se muestra en la Figura 8.

NOTA: Antes de abrir la tapa del Vertedor de Alimentos, APAGUE la unidad y desenchufe el cable de alimentación.

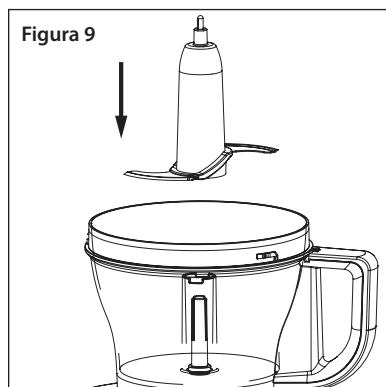


Cómo Amasar la Masa Usando el Recipiente Grande

NOTA: Asegúrese de que la unidad esté APAGADA y desenchufada antes de utilizarla. Nunca coloque alimentos en la procesadora con la mano. No utilice la procesadora continuamente por más de 3 minutos por vez.

- 1 Trabe el recipiente grande en la base. (Vea "Cómo colocar el recipiente grande")
- 2 Tome la cuchilla de picar por su base y deslícela hasta la guía central (Figura 9).
- 3 Coloque los alimentos en el recipiente.
- 4 Trabe la tapa con el recipiente. (Vea "Cómo trabar el recipiente")
- 5 Trabe la Tapa del Vertedor de Alimentos. (Vea "Cómo Trabar la Tapa del Vertedor de Alimentos").
- 6 Enchufe el cable en la toma de corriente. Utilice la Guía de Alimentos para picar alimentos.
- 7 Presione el botón de Picado o Rallado para procesar en forma continua o el botón de Pulsado para procesar tareas cortas. Cuando use la función de Pulsado, sostenga el botón de Pulsado como por 2-3 segundos cada vez, revise los resultados y repita si lo desea.
- 8 Cuando termine el procesamiento, presione el botón "Off" y permita que la cuchilla para picar se detenga de girar.
- 9 Gire la tapa hacia la marca de Sin Seguro (UNLOCK)  para remover la tapa.
- 10 Tome la Cuchilla para Picar por su base y retírela. Destrabe el recipiente. Para ello, gírelo en sentido horario hacia la marca UNLOCK (DESTRABAR) y levántelo. Retire los alimentos procesados.


NOTA: La Cuchilla para Picar es muy filosa, por lo que debe ser manipulada con cuidado.



Cómo Amasar la Masa Usando el Recipiente Pequeño

(No use el disco de rebanar/desmenguizar con el recipiente pequeño).

NOTA: Asegúrese de que la unidad esté APAGADA y desenchufada antes de utilizarla. Nunca coloque alimentos en la procesadora con la mano. No utilice la procesadora continuamente por más de 3 minutos por vez.

- 1 Trabe el recipiente grande en la base. (Vea "Cómo colocar el recipiente grande")
- 2 Inserte el recipiente pequeño en el recipiente grande y gire el recipiente interior hasta que se asiente en el recipiente grande.
- 3 Sujete la hoja pequeña de cortar por el vástago y deslícela en la guía central.
- 4 Coloque los alimentos en el recipiente.
- 5 Trabe la tapa con el recipiente. (Vea "Cómo trabar el recipiente")
- 6 Trabe la Tapa del Vertedor de Alimentos. (Vea "Cómo Trabar la Tapa del Vertedor de Alimentos").
- 7 Enchufe el cable en la toma de corriente.
- 8 Presione el botón de Picado o Rallado para procesar en forma continua o el botón de Pulsado para procesar tareas cortas. Cuando use la función de Pulsado, sostenga el botón de Pulsado como por 2-3 segundos cada vez, revise los resultados y repita si lo desea.
- 9 Cuando termine el procesamiento, presione el botón "Off" y permita que la cuchilla para picar se detenga de girar.
- 10 Gire la tapa hacia la marca de Sin Seguro (UNLOCK)  para remover.
- 11 Sujete la cuchilla de picar por el vástago y retírela. Retire el recipiente pequeño del recipiente grande. Vacíe los alimentos procesados.

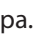
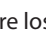
NOTA: Cuando use la cuchilla de picar hágalo a velocidades más despacio para controlar el tamaño de los alimentos picados. La Cuchilla para Picar es muy filosa, por lo que debe ser manipulada con cuidado.



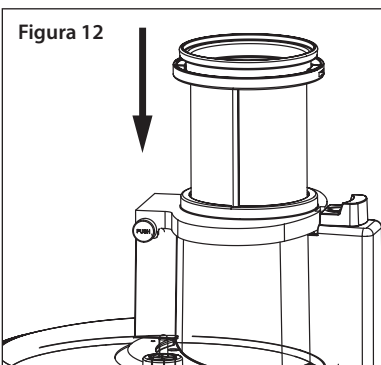
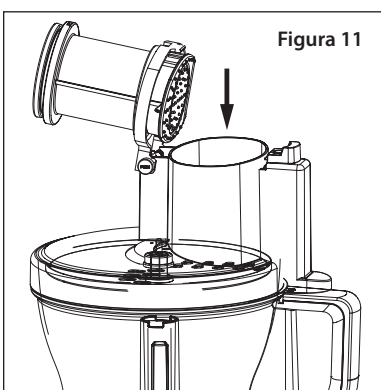
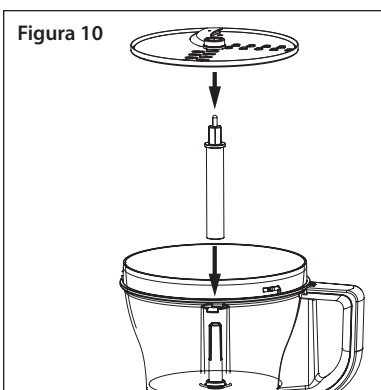
Cómo Rebanar o Rallar Usando el Recipiente Grande

NOTA: Asegúrese de que la unidad esté APAGADA y desenchufada antes de utilizarla. Nunca coloque alimentos en la procesadora con la mano. No utilice la procesadora continuamente por más de 3 minutos por vez.

Procesando grandes cantidades de alimento



- 1 Trabe el recipiente en la base. (Vea "Cómo colocar el recipiente")
- 2 Deslice el Vástago del Disco en la guía central de la base. Con el lado deseado hacia arriba (según si desea rebanar o rallar), coloque el disco para rebanar/rallar en el vástago del disco (Figura 10). Tenga cuidado cuando manipule el disco ya que las cuchillas son extremadamente filosas.
- 3 Trabe la tapa con el recipiente. (Vea "Cómo trabar el recipiente")
- 4 Llene el Vertedor de Alimentos con alimentos grandes como, por ejemplo, trozos de repollo, pimientos verdes, tomates enteros, etc. (Figura 11). Trabe la tapa del vertedor de alimentos. (Vea "Cómo Trabar la Tapa del Vertedor de Alimentos"). Utilice la Guía de Alimentos para obtener ayuda sobre cómo rebanar/rallar alimentos.
- 5 Deslice el Empujador de Alimentos Pequeños en el Empujador de Alimentos Grandes y enchufe el cable en la toma de corriente.
- 6 Presione el botón de ajuste de la velocidad deseada, después empuje hacia abajo suave pero firmemente el Empujador de Alimentos (Figura 12).
- 7 Cuando termine de procesar, presione el botón Off y permita que el disco se detenga de rotar. Gire la tapa del Recipiente hacia la marca de Desbloqueo (UNLOCK)  para retirar la tapa.
- 8 Retire el Disco para Rallar con cuidado. Destrabe el recipiente. Para ello, gírelo en sentido horario hacia la marca UNLOCK (DESTRABAR)  y levántelo. Retire los alimentos procesados.

NOTA: El Disco para Rallar es muy filoso, por lo que debe ser manipulado con cuidado.



Procesando alimentos largos y delgados

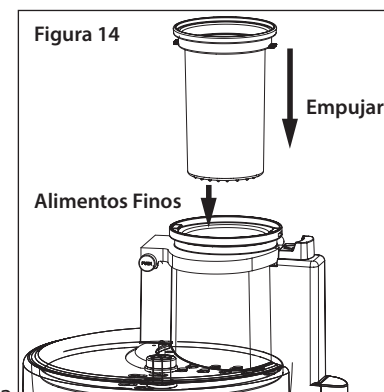
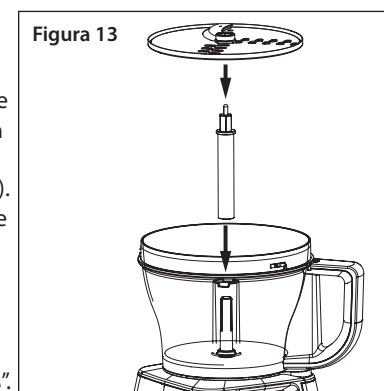
NOTA: Asegúrese de que la unidad esté APAGADA y desenchufada antes de utilizarla. Nunca coloque alimentos en la procesadora con la mano. No utilice la procesadora continuamente por más de 3 minutos por vez.

- 1 Trabe el recipiente en la base. (Vea "Cómo colocar el recipiente")
- 2 Deslice el Vástago del Disco en la guía central de la base. Con el lado deseado hacia arriba (según si desea rebanar o rallar), coloque el disco para rebanar/rallar en el vástago del disco (Figura 13). Tenga cuidado cuando manipule el disco ya que las cuchillas son extremadamente filosas.
- 3 Trabe la tapa con el recipiente. (Vea "Cómo trabar el recipiente")
- 4 Trabe la tapa del vertedor de alimentos. (Vea "Cómo Trabar la Tapa del Vertedor de Alimentos". La Tapa del Vertedor de Alimentos puede trabarse antes de trabar la tapa en el recipiente).
- 5 Llene el Empujador de Alimentos Grandes con alimentos largos y finos como, por ejemplo, papas, salchichas, zanahorias y apio.
- 6 Coloque el Empujador de Alimentos pequeño dentro del Empujador de Alimentos grande (Figura 14), enchufe el cordón en un tomacorriente eléctrico.
- 7 Presione uno de los botones de velocidad preseleccionados, después empuje hacia abajo suave pero firmemente el Empujador Pequeño de Alimentos.
- 8 Cuando termine de procesar, presione el botón Off y permita que el disco se detenga de rotar. Gire la tapa del Recipiente hacia la marca de Desbloqueo (UNLOCK)  para retirar la tapa.
- 9 Retire el Disco para Rallar con cuidado. Destrabe el recipiente. Para ello, gírelo en sentido horario hacia la marca UNLOCK (DESTRABAR)  y levántelo. Retire los alimentos procesados.

NOTA: El Disco para Rallar es muy filoso, por lo que debe ser manipulado con cuidado.

Consejos para Procesar Alimentos / Líquidos

- 1 En el recipiente pueden procesarse líquidos calientes (no más caliente que 176°F) y alimentos calientes.
- 2 Asegúrese de procesar pequeñas cantidades de líquidos (2 tazas o menos por vez). Si se procesan cantidades más grandes, el líquido puede derramarse del recipiente.





Cuidado y Limpieza

NOTA: No intente afilar los bordes cortantes de la cuchilla para picar o el disco reversible. Son afilados en fábrica y se estropearán si intenta afilarlos.

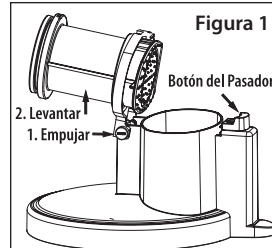
Limpieza

- 1 Antes de limpiar la unidad, asegúrese de que esté apagada y desenchufada.
- 2 Siempre que sea posible, para una limpieza más fácil, enjuague las piezas inmediatamente después de utilizar la unidad.
- 3 Limpie la base, panel de control y pies con un paño húmedo y seque completamente. Las manchas difíciles pueden ser removidas con un paño húmedo y un limpiador suave no abrasivo. No sumerja la base en líquidos.
- 4 Las cuchillas son filosas.
- 5 Todas las partes extraíbles pueden lavarse de modo manual o en la bandeja superior del lavavajillas.
 - En caso del lavado manual, utilice agua jabonosa caliente, enjuague y seque completamente. De ser necesario, utilice un cepillo pequeño de cerdas de nylon para limpiar el recipiente y la tapa/vertedor de alimentos. Este tipo de cepillo lo ayudará a prevenir que se corte con la cuchilla filuda para picar y el disco para rebanar/rallar.
 - Si utiliza un lavavajillas, coloque las piezas extraíbles solo en la bandeja superior, no dentro o cerca de la canasta para utensilios.

NOTA: Para una limpieza más fácil, el Vertedor de Alimentos de Boca Ancha puede removerse de la tapa.

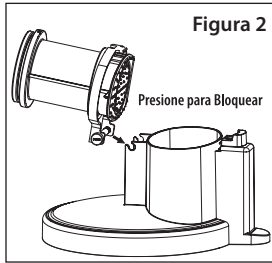
Cómo remover el Vertedor de Alimentos de Boca Ancha:

- Jale el botón de liberación lateral hacia afuera y jale hacia arriba el Empujador de Alimentos Grande.
- Jale hacia atrás la tapa del Vertedor de Alimentos y el Empujador de Alimentos Grande.
- Presione hacia adentro la bisagra blanca horizontal y levante el Vertedor de Alimentos de Boca Ancha (Vea la Figura 1).



Cómo reajustar el Vertedor de Alimentos de Boca Ancha:

- Alinee la bisagra blanca horizontal con las guías.
 - Presione hacia adentro para asegurar en su lugar (Vea la Figura 2).
- 6 No utilice productos de limpieza o paños limpiadores abrasivos sobre las piezas plásticas o metálicas.
 - 7 No llene el recipiente con agua hirviendo o sumerja las piezas en agua hirviendo. Algunos alimentos, tales como las zanahorias, pueden teñir el recipiente temporalmente. Para eliminar manchas, prepare una pasta con 2 cucharadas (30 ml) de bicarbonato de sodio y 1 cucharada (15ml) de agua tibia. Aplique la pasta sobre las manchas y frote con un paño. Enjuague con agua jabonosa y seque.



Guía para Picar para el Recipiente Grande

Alimento	Cantidad	Instrucciones
Comida para Bebés	Hasta 4 tazas (1000ml)	Agregar hasta 4 tazas (1000ml) de vegetales cocidos y/o carne en un recipiente, junto con 1/4 taza (60ml) de líquido por taza de alimento sólido, procesar continuamente a la fineza deseada.
Migas de pan	Hasta 5 rebanadas	Cortar rebanadas de pan fresco o duro en trozos de 1½-2 pulgadas (3,75-5cm) Agregar al recipiente y procesar hasta obtener migas finas.
Migas de galletas dulces/saladas	Hasta 5 tazas (1.250ml)	Utilizar galletas Graham, de chocolate o vainilla. Partir las galletas en trozos de 1½-2 pulgadas (3,75-5cm). Agregar al recipiente y procesar hasta obtener migas finas.
Arándanos, picados	3 tazas (750ml)	Pulsar para picar hasta la fineza deseada. También puede agregarse azúcar para preparar una salsa de arándanos.
Huevos, picados	Hasta 12	Pelar, secar y cortar a la mitad huevos duros. Agregar al recipiente, pulsar para picar y controlar la fineza después de 4-5 pulsos.
Ajo, picados	Hasta 12	Asegurarse de que el recipiente esté seco. Introducir los dientes en el Vertedor de Alimentos cuando la unidad está en funcionamiento.
Carne, cortada en trozos pequeños (cruda o cocida)	Hasta 2,5 tazas (600ml)	Cortar la carne en cubos de 1 pulgada (2,54 cm). Agregar al recipiente y pulsar para picar.
Hongos, cortados en trozos pequeños	Hasta 12 medianos	Cortar a la mitad los de tamaño grande y agregar al recipiente. Pulsar hasta obtener la fineza deseada.
Frutos secos, cortados en trozos pequeños	2 tazas (300ml)	Agregar al recipiente y pulsar para picar.
Cebollas, cortadas en trozos pequeños	Hasta 2 grandes	Cortar en cuatro, agregar al recipiente Pulsar 1 o 2 veces para picar en trozos grandes. En caso de cebollas de verdeo, hasta 2 tazas (500ml), cortar en trozos de 1 pulgada (2,45cm).
Queso parmesano o romano, rallado	Hasta 1½ tazas (375ml)	Aguardar hasta que el queso esté a temperatura ambiente. Cortar en cubos de 1 pulgada (2,54 cm) Agregar al recipiente y pulsar para picar en trozos grandes. Procesar continuamente para obtener un rallado fino.
Perejil, picado	Hasta 2 tazas (500ml)	Agregar al recipiente y pulsar para picar hasta la fineza deseada, aproximadamente 10-15 segundos. Procesar otras hierbas del mismo modo (albahaca, cilantro, menta, etc.).
Pimiento (verde, rojo, amarillo), picado	Hasta 1 pimiento	Cortar en trozos de 1 pulgada (2,54 cm). Agregar al recipiente y pulsar para picar.
Sopas (puré o crema)	2 tazas (500ml)	Agregar hasta 2 tazas de sopa de vegetales caliente (a menos de 176°) para hacer puré o crema. Procesar hasta obtener la fineza deseada.
Calabacín (calabaza sidra), calabaza o batatas, en puré	Hasta 5 tazas (1250ml) de cubos de 1 pulgada (2,54 cm)	Agregar ¼ taza (60ml) de líquido de cocción por taza de alimento. Pulsar para picar en trozos finos y después procesar continuamente para hacer el puré.
Frutillas, en puré	2 tazas (500ml)	Retirar el casco y cortar a la mitad en caso de frutillas grandes. Agregar al recipiente y pulsar para picar. Procesar continuamente para hacer el puré.
Tomates, picados	4 medianos	Cortar los tomates en cuatro Agregar hasta 4 y pulsar hasta obtener la fineza deseada.



5 años de Garantía Satisfactoria

Sunbeam Products, Inc. operando bajo el nombre de Jarden Consumer Solutions, o en Canadá, Sunbeam Corporation (Canada) Limited operando bajo el nombre de Jarden Consumer Solutions, (en forma conjunta, "JCS"), garantiza que por un período de cinco años a partir de la fecha de compra, este producto estará libre de defectos de materiales y mano de obra. JCS, a su elección, reparará o reemplazará este producto o cualquier componente del mismo que presente defectos durante el período de garantía. El reemplazo se realizará por un producto o componente nuevo o reparado. Si el producto ya no estuviera disponible, se lo reemplazará por un producto similar de valor igual o superior. Ésta es su garantía exclusiva. No intente reparar o ajustar ninguna función eléctrica o mecánica de este producto. Al hacerlo eliminará ésta garantía. La garantía es válida para el comprador minorista original a partir de la fecha de compra inicial y la misma no es transferible. Conserve el recibo de compra original. Para solicitar servicio en garantía satisfactoria se requiere presentar un recibo de compra. Los agentes y centros de servicio de JCS o las tiendas minoristas que venden productos de JCS no tienen derecho a alterar, modificar ni cambiar de ningún otro modo los términos y las condiciones de esta garantía.

Esta garantía no cubre los daños que se produzcan como resultado de uso negligente o mal uso del producto, uso de voltaje incorrecto o corriente inapropiada, uso contrario a las instrucciones operativas, y desarme, reparación o alteración por parte de un tercero ajeno a JCS o a un Centro de Servicio autorizado por JCS. Asimismo, la garantía no cubre actos fortuitos tales como incendios, inundaciones, huracanes y tornados.

¿Cuál es el límite de responsabilidad de JCS?

JCS no será responsable de daños incidentales o emergentes causados por el incumplimiento de alguna garantía o condición expresa, implícita o legal.

Excepto en la medida en que lo prohíba la ley aplicable, cualquier garantía o condición implícita de comerciabilidad o aptitud para un fin determinado se limita, en cuanto a su duración, al plazo de la garantía antes mencionada.

JCS queda exenta de toda otra garantías, condiciones o manifestaciones, expresa, implícita, legal o de cualquier otra naturaleza.

JCS no será responsable de ningún tipo de daño que resulte de la compra, uso o mal uso del producto, o por la imposibilidad de usar el producto, incluidos los daños incidentales, especiales, emergentes o similares, o la pérdida de ganancias, ni de ningún incumplimiento contractual, sea de una obligación esencial o de otra naturaleza, ni de ningún reclamo iniciado contra el comprador por un tercero.

Algunas provincias, estados o jurisdicciones no permiten la exclusión o limitación de los daños incidentales o emergentes ni las limitaciones a la duración de las garantías implícitas, de modo que es posible que la exclusión o las limitaciones antes mencionadas no se apliquen en su caso.

Esta garantía le otorga derechos legales específicos y es posible que usted tenga otros derechos que varían de un estado, provincia o jurisdicción a otro.

Cómo solicitar el servicio en garantía satisfactoria

En los Estados Unidos

Si tiene alguna pregunta sobre esta garantía o desea recibir servicio de garantía, llame al 1-800-334-0759 y podrá obtener la dirección del centro de servicio que le resulte más conveniente

En Canadá

Si tiene alguna pregunta sobre esta garantía o desea recibir servicio de garantía, llame al 1-800-667-8623 y podrá obtener la dirección del centro de servicio que le resulte más conveniente.

En los Estados Unidos, esta garantía es ofrecida por Sunbeam Products, Inc. operando bajo el nombre de Jarden Consumer Solutions, Boca Ratón, Florida 33431. En Canadá, esta garantía es ofrecida por Sunbeam Corporation (Canada) Limited operando bajo el nombre de Jarden Consumer Solutions, 20 B Hereford Street, Brampton, Ontario L6Y 0M1. Si usted tiene otro problema o reclamo en conexión con este producto, por favor escriba al Departamento de Servicio al Consumidor.

POR FAVOR NO DEVUELVA ESTE PRODUCTO A NINGUNA DE ESTAS DIRECCIONES NI AL LUGAR DE COMPRA.

Guía para Rallar para el Recipiente Grande

Alimento	Instrucciones
Repollo	Utilizar el Disco para Rallar para ensalada de repollo o repollo muy fino. Cortar en trozos que quepan en el Vertedor. Rallar empleando una leve presión. Vaciar el recipiente cuando el repollo alcance el Disco.
Zanahorias	Colocar en Vertedor y rallar.
Queso, cheddar	El queso debe estar frío. Cortar para que entre en el Vertedor, emplear presión leve.
Queso, Mozzarella	Cortar para que entre en el Vertedor. El queso debe enfriarse en el congelador durante 30 minutos antes del rallado. Emplee presión leve.
Papas	Cortar para que entre en el Vertedor.
Calabacín/Calabaza	Retirar extremos, cortar para que entre en el Vertedor, ya sea vertical u horizontalmente.

Guía para Rebanar para el Recipiente Grande

Alimento	Instrucciones
Manzana	Cortar a la mitad y colocar horizontalmente en Vertedor. Emplear presión firme.
Repollo/Lechuga	Cortar a la mitad, cortar para que entre en Vertedor
Zanahorias	Cortar para que entre en el Vertedor.
Apio	Retirar cola, llene el Vertedor para obtener mejores resultados.
Pepino	Cortar para que entre en el Vertedor, de ser necesario.
Hongos	Llenar el Vertedor con hongos apoyados horizontalmente para rodajas cortadas a lo largo.
Cebolla	Cortar a la mitad y llenar el Vertedor, colocando las cebollas en posición vertical para rebanadas más gruesas.
Duraznos/Peras	Cortar a la mitad y retirar el corazón. Colocar en posición vertical en el Vertedor y emplear presión leve.
Pimientos (verdes, rojos, amarillos)	Cortar a la mitad y retirar las semillas. Colocar los pimientos de arriba hacia abajo presionando levemente para que entren, de ser necesario. Cortar los de tamaño grande en cuartos o tiras, dependiendo de los resultados deseados. Emplee presión moderada.
Salchichas	Cortar en trozos con un largo de 3 pulgadas (8 cm). Retirar envoltura no comestible.
Papas	Pelar si se desea, cortar las papas grandes en mitades, colocar en Vertedor.
Frutillas	Retirar casco. Colocar las frutillas de modo horizontal en caso de rodajas a lo largo.
Tomates	Utilizar tomates pequeños para obtener rodajas enteras. Cortar a la mitad de ser necesario. Emplee presión leve pero firme.
Nabos	Pelar, cortar para que entren en el Vertedor.
Calabacín/Calabaza	Corte los extremos. Utilice calabacín/calabaza pequeños para rebanadas enteras; corte por la mitad las grandes para que quepan dentro del Vertedor de Alimentos.



